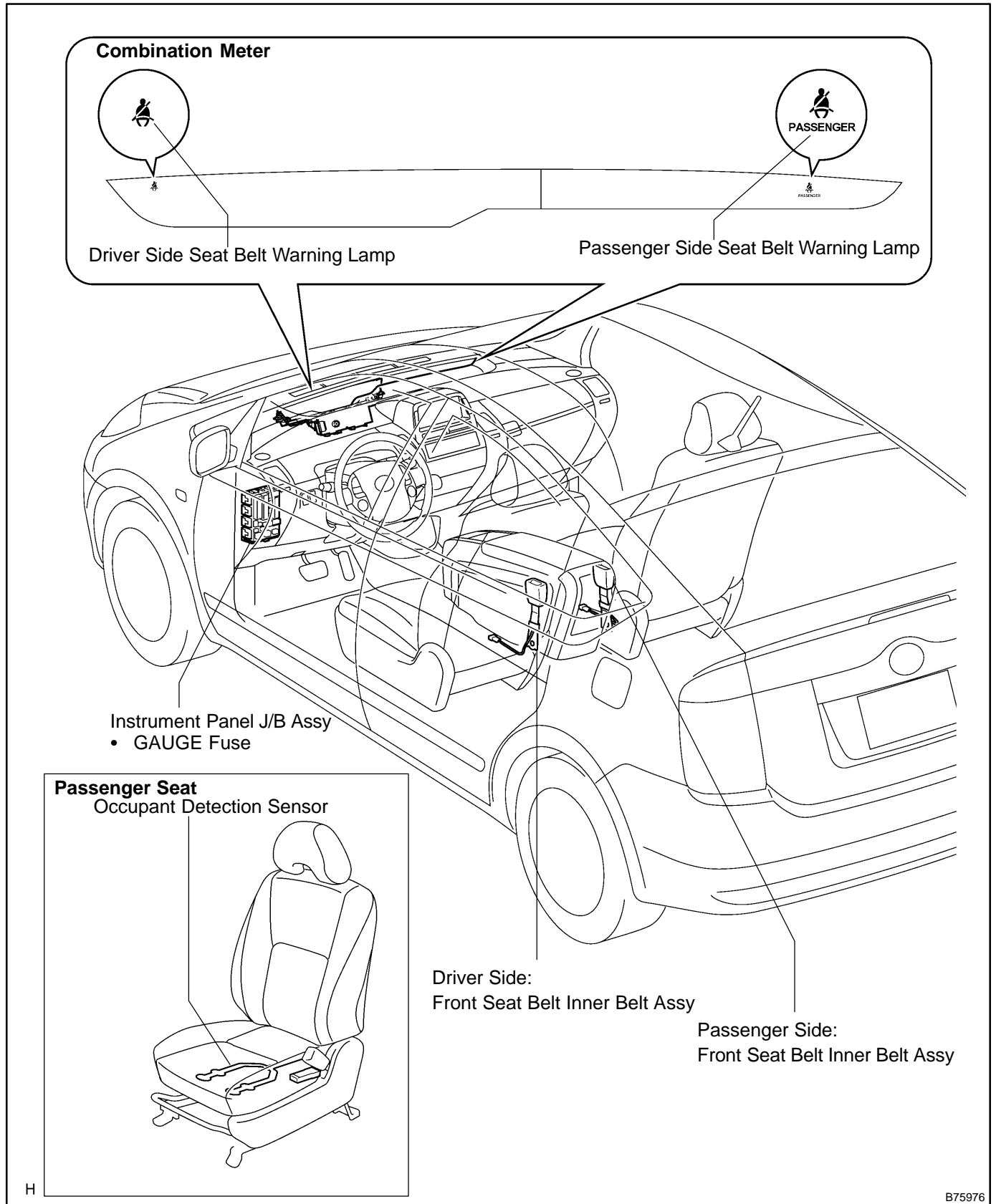
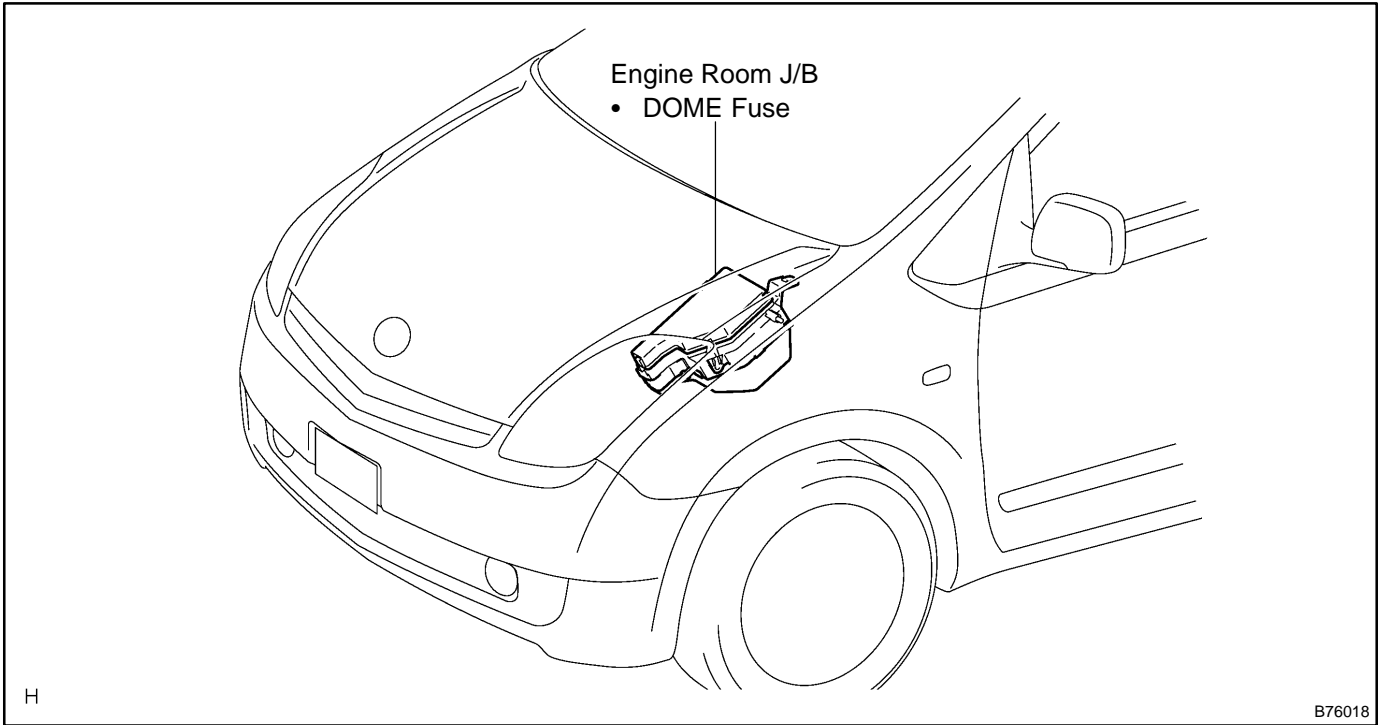


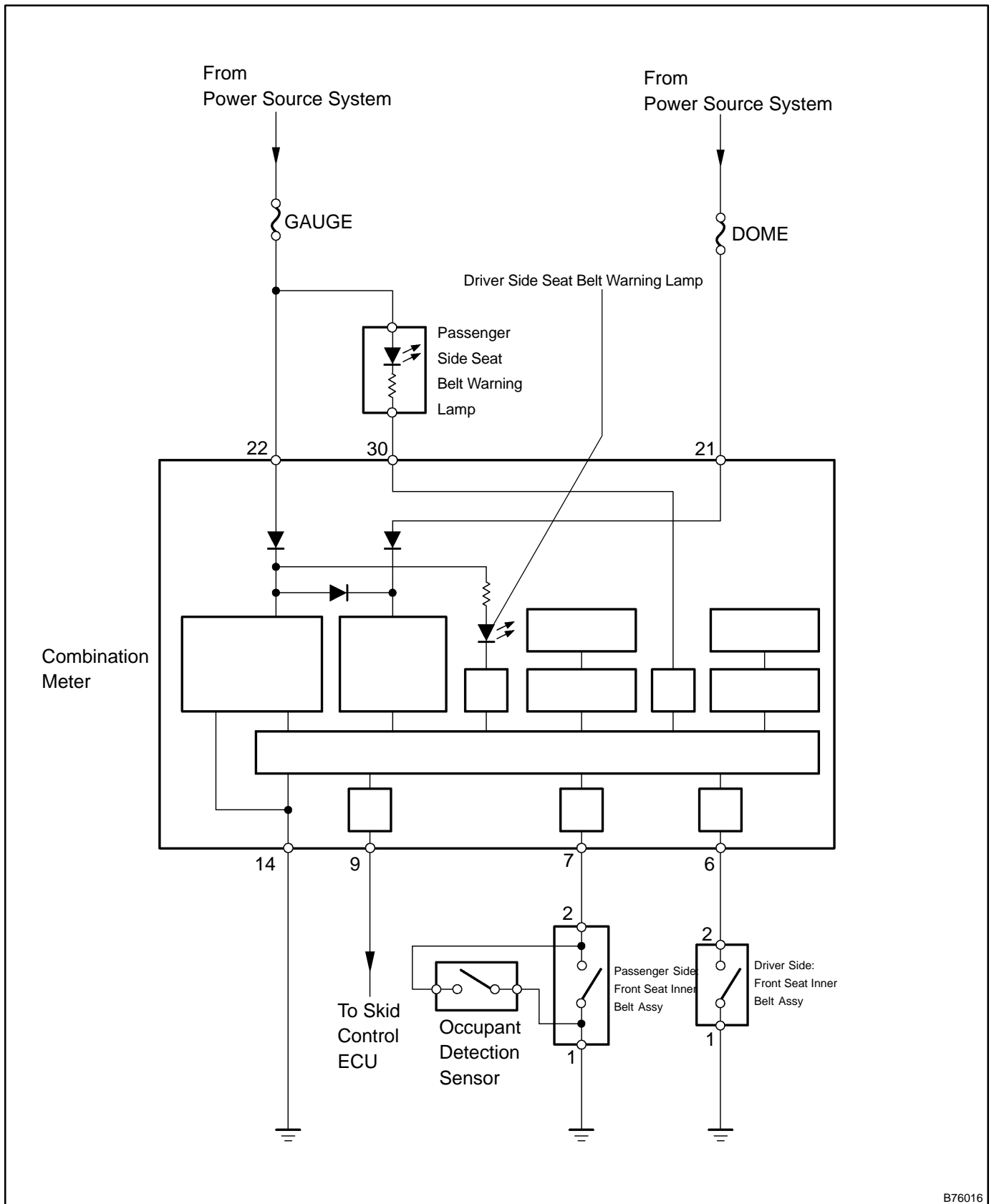
SEAT BELT WARNING SYSTEM LOCATION

610J8-01





SYSTEM DIAGRAM



B76016

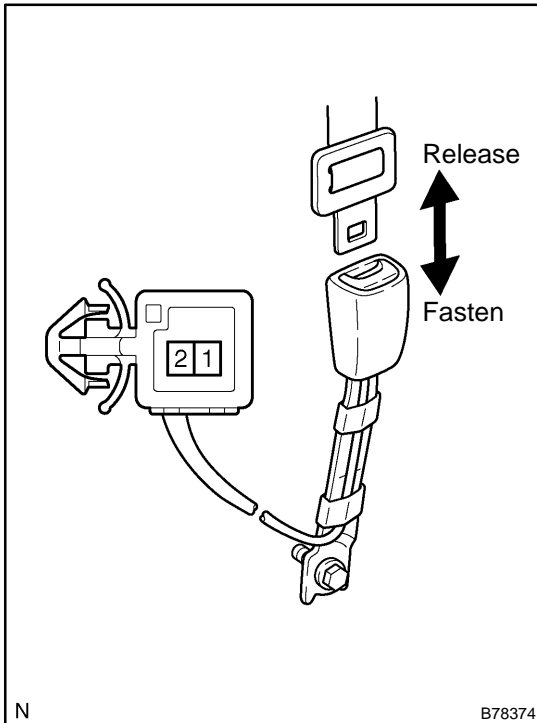
DESCRIPTION

When the power switch's power mode is ON (IG) and the passenger or driver side seat belt is not fastened, the seat belt warning system repeatedly flashes the seat belt warning lamp. The system determines if the seat belt is fastened by checking if the seat belt buckle switch is ON (seat belt fastened) or OFF (seat belt unfastened).

PROBLEM SYMPTOMS TABLE

Symptom	Suspected Area	See Page
Driver side seat belt warning lamp does not blink	<ol style="list-style-type: none"> 1. DOME fuse 2. GAUGE fuse 3. Front seat inner belt assy (driver's seat) 4. Combination meter 5. Wire harness 	61-1 61-1 61-6 05-2011 –
Driver side seat belt warning lamp does not illuminate	<ol style="list-style-type: none"> 1. Front seat inner belt assy (driver's seat) 2. Combination meter 3. Wire harness 	61-6 05-2011 –
Passenger side seat belt warning lamp does not blink	<ol style="list-style-type: none"> 1. DOME fuse 2. GAUGE fuse 3. Front seat inner belt assy (passenger's seat) 4. Occupant detection sensor 5. Combination meter 6. Wire harness 	61-1 61-1 61-6 61-6 05-2013 –
Passenger side seat belt warning lamp does not illuminate	<ol style="list-style-type: none"> 1. Front seat inner belt assy (passenger's seat) 2. Combination meter 3. Wire harness 	61-6 05-2013 –

INSPECTION



1. Driver side:

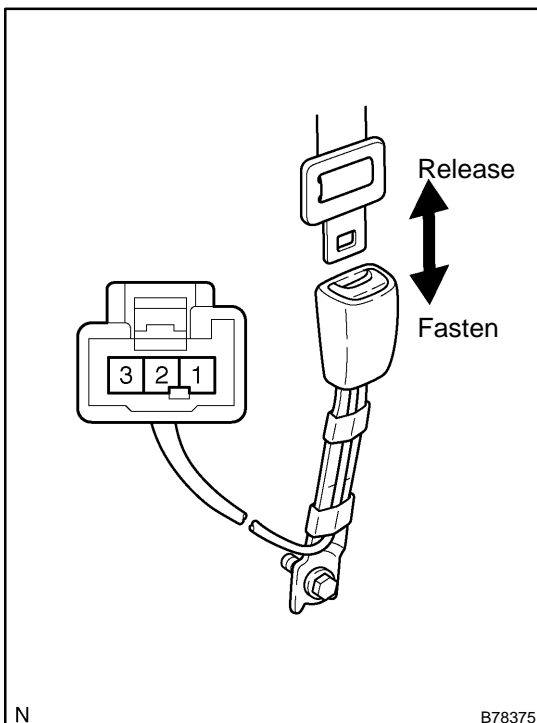
INSPECT FRONT SEAT INNER BELT ASSY

- (a) Measure the resistance between the terminals of the buckle switch.

Standard:

Tester Condition	Condition	Specified Condition
1 – 2	Fasten seat belt	1 M Ω or higher
1 – 2	Release seat belt	Below 1 Ω

If the result is not as specified, replace the inner belt assy.



2. Passenger side:

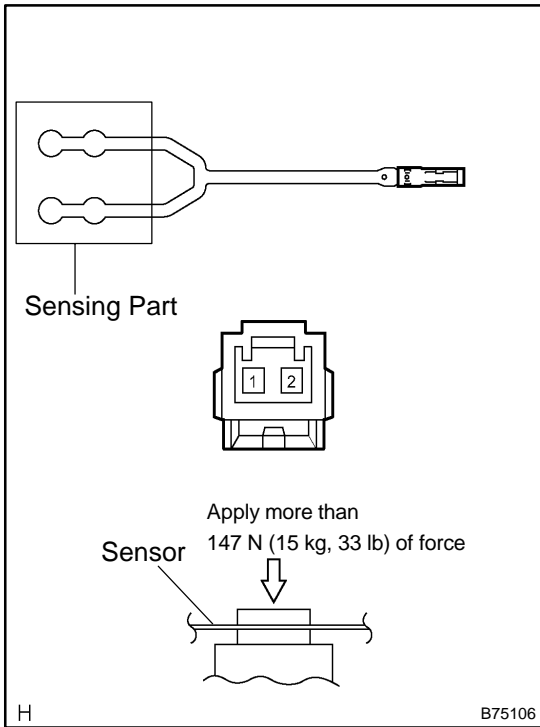
INSPECT FRONT SEAT INNER BELT ASSY

- (a) Measure the resistance between the terminals of the buckle switch.

Standard:

Tester Condition	Condition	Specified Condition
1 – 2	Fasten seat belt	1 M Ω or higher
1 – 2	Release seat belt	Below 1 Ω

If the result is not as specified, replace the inner belt assy.



3. INSPECT OCCUPANT DETECTION SENSOR

(a) Measure the resistance between the terminals.

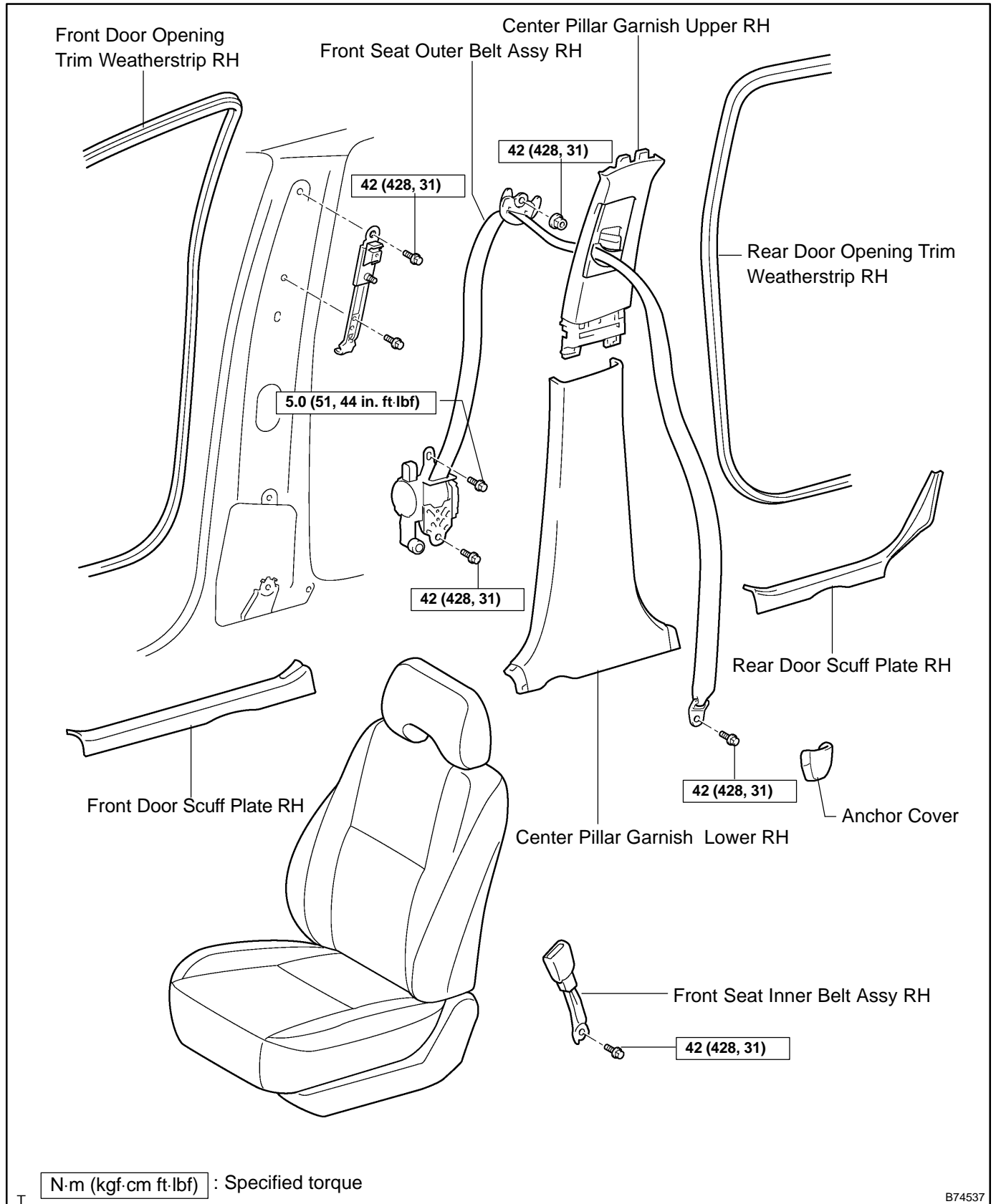
Standard:

Tester Condition	Condition	Specified Condition
1 - 2	Apply more than 147 N (15 kg, 33 lb) to occupant detection sensor	Below 1 Ω
1 - 2	Free	1 MΩ or higher

If the result is not as specified, replace the seat cushion pad.

FRONT SEAT BELT COMPONENTS

610JC-01



REPLACEMENT

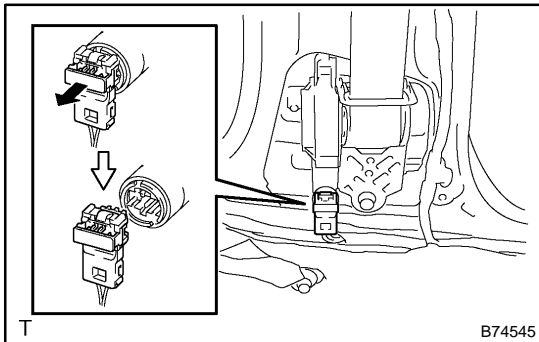
HINT:

- The installation procedures are the removal procedures in reverse order. However, only installation procedures requiring additional information are included.
 - Use the same procedures for the RH side and LH side.
 - A bolt without a torque specification is shown in the standard bolt chart (see page 03-2).
1. REMOVE FRONT DOOR SCUFF PLATE RH (See page 76-28)
 2. REMOVE REAR DOOR SCUFF PLATE RH (See page 76-28)
 3. REMOVE FRONT DOOR OPENING TRIM WEATHERSTRIP RH (See page 76-28)
 4. REMOVE REAR DOOR OPENING TRIM WEATHERSTRIP RH (See page 76-28)
 5. REMOVE CENTER PILLAR GARNISH LOWER RH (See page 76-28)
 6. REMOVE CENTER PILLAR GARNISH RH (See page 76-28)

7. REMOVE FRONT SEAT OUTER BELT ASSY RH

NOTICE:

- Removal of the seat belt pretensioner must be started at least 90 seconds after the power switch's power mode is changed to OFF and the negative (-) terminal cable is disconnected from the battery.
- Carefully read the notices for the pretensioner in the SRS airbag system section and the front seat outer belt section (see page 60-1).



- (a) Disconnect the pretensioner connector, as shown in the illustration.

- (b) Remove the 3 bolts and outer belt.

8. REMOVE FRONT SHOULDER BELT ANCHOR ADJUSTER ASSY

- (a) Remove the 2 bolts and anchor adjuster.

9. REMOVE FRONT SEAT INNER BELT ASSY RH

- (a) Remove the front seat (see page XX-XXX).
- (b) Remove the bolt and inner belt.

10. INSTALL FRONT SEAT INNER BELT ASSY RH

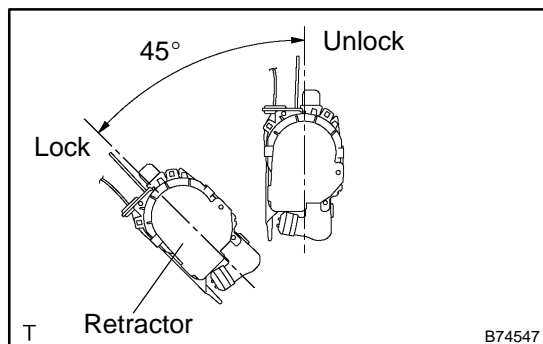
- (a) Install the inner belt with the nut.

Torque: 42 N·m (428 kgf·cm, 31 ft·lbf)

11. INSTALL FRONT SHOULDER BELT ANCHOR ADJUSTER ASSY

- (a) Install the belt anchor adjuster with the 2 bolts.

Torque: 42 N·m (428 kgf·cm, 31 ft·lbf)



12. INSTALL FRONT SEAT OUTER BELT ASSY RH

NOTICE:

Do not disassemble the retractor.

- (a) Check the amount of inclination required to lock the retractor.
- (1) When the inclination of the retractor is 15° or less, check that the belt can be pulled from the retractor. When the inclination of the retractor is over 45°, check that the belt locks.

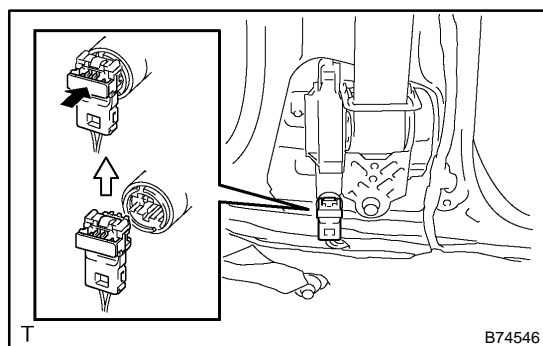
If operation is not as specified, replace the outer belt assy.

- (b) Install the outer belt with the 2 bolts.

Torque:

5.0 N·m (51 kgf·cm, 44 in·lbf) for upper bolt

42 N·m (428 kgf·cm, 31 ft·lbf) for lower bolt



- (c) Connect the pretensioner connector, as shown in the illustration.
- (d) Install the floor anchor cover.
- (e) Install the shoulder belt anchor to the shoulder belt anchor adjuster with the bolt.

Torque: 42 N·m (428 kgf·cm, 31 ft·lbf)

- (f) Install the front pillar garnish upper.
- (g) Install the center pillar garnish lower.
- (h) Install the floor anchor to the floor panel with the nut.
- Torque: 42 N·m (428 kgf·cm, 31 ft·lbf)**
- (i) Install the front door scuff plate.
- (j) Install the rear door scuff plate.
- (k) Install the front door opening trim weatherstrip.
- (l) Install the rear door opening trim weatherstrip.
- (m) Check if the ELR locks.

NOTICE:

The check should be performed with the outer belt assy installed.

- (1) With the belt installed, check that the belt locks when it is pulled out quickly.

If operation is not as specified, replace the outer belt assy.

- (n) Connect the negative battery's terminal.

NOTICE:

When disconnecting the negative (–) battery terminal, initialize the following systems after the terminal is reconnected.

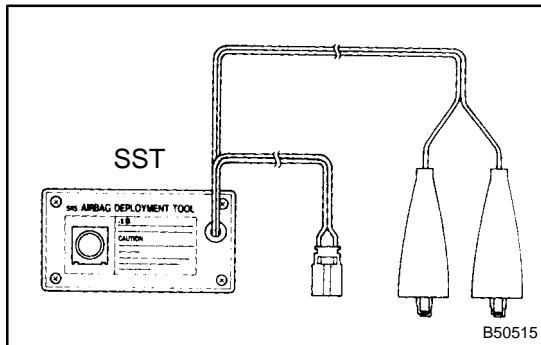
System Name	See Page
Power Window Control System	01-28

- (o) Check the SRS warning lamp (see page 60-1).

DISPOSAL

HINT:

When scrapping vehicles equipped with a seat belt pretensioner or disposing of a front seat outer belt (with seat belt pretensioner), always first activate the seat belt pretensioner in accordance with the procedures described below. If any abnormality occurs during activation of the seat belt pretensioner, contact the SERVICE DEPARTMENT of TOYOTA MOTOR SALES, U.S.A., INC. When disposing of a front seat outer belt assy (with seat belt pretensioner) that was activated in a collision, start with step 1-(f) in this section.



CAUTION:

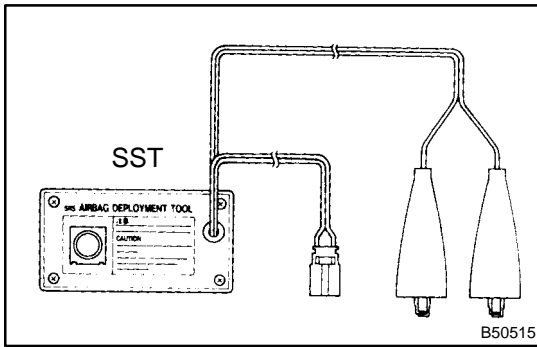
- Never dispose of a front seat outer belt assy that has an unactivated pretensioner.
- The seat belt pretensioner produces a loud, exploding sound when it activates. Perform the operation where it will not be a nuisance to nearby residents.
- When activating a front seat outer belt (with seat belt pretensioner), stand at least 10 m (33 ft) away from the front seat outer belt.
- Use gloves and safety glasses when handling a front seat belt with an activated pretensioner.
- Always wash your hands with water after completing activation.
- Do not apply water to a front seat outer belt that has an activated pretensioner.
- When activating the seat belt pretensioner, always use the specified SST (SRS airbag deployment tool).
- Perform operation in a place away from electrical interference.

SST 09082-00700

1. DISPOSE OF FRONT SEAT OUTER BELT ASSY RH (WHEN INSTALLED IN VEHICLE)

HINT:

Prepare a battery to power activation of the seat belt pretensioner.

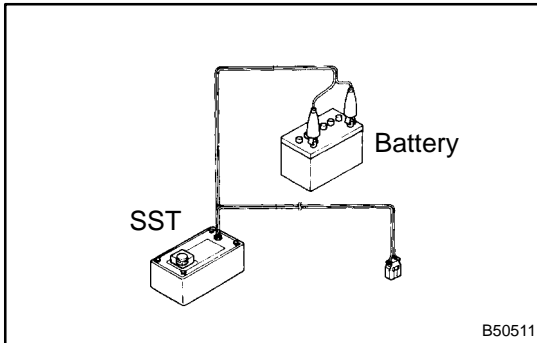


(a) Check if SST is functioning.

CAUTION:

When activating the seat belt pretensioner, always use the specified SST.

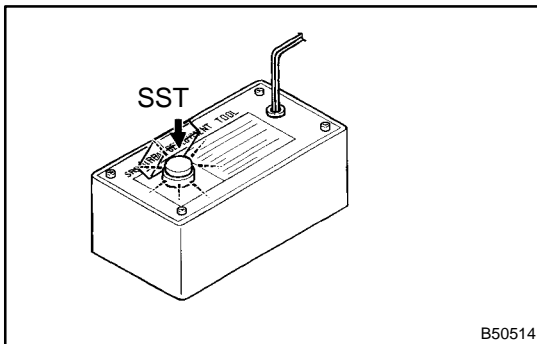
SST 09082-00700, 09082-00770



(1) Connect SST red clip to the battery's positive (+) terminal and the black clip to the negative (-) terminal.

HINT:

Do not connect the yellow connector. The yellow connector is used to connect to the seat belt pretensioner.



(2) Press SST activation switch and check that the LED of SST activation switch lights up.

CAUTION:

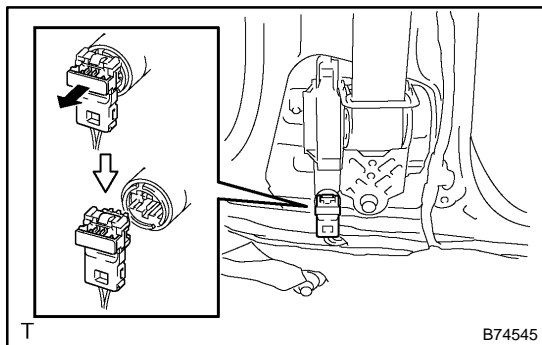
If the LED turns on when the activation switch is not being pressed, SST may be malfunctioning. Do not use SST.

(b) Disconnect SST from the battery.

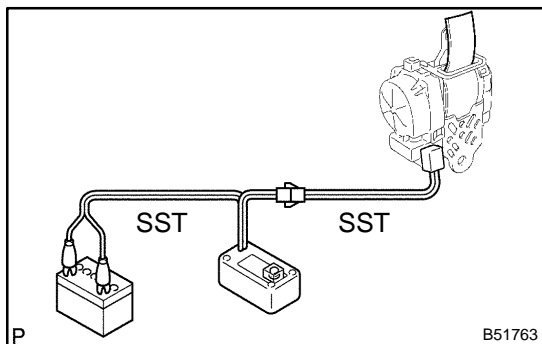
(c) Disconnect the pretensioner connector.

- (1) Disconnect the battery's negative (-) terminal.
- (2) Remove the front door scuff plate RH (see page 76-28).
- (3) Remove the rear door scuff plate RH (see page 76-28).
- (4) Remove the front door opening trim weatherstrip RH (see page 76-28).
- (5) Remove the rear door opening trim weatherstrip RH (see page 76-28).
- (6) Remove the center pillar garnish lower RH (see page 76-28).
- (7) Remove the center pillar garnish upper RH (see page 76-28).

SEAT BELT – FRONT SEAT BELT



- (8) Disconnect the pretensioner connector, as shown in the illustration.
- (d) Connect the SST.
- (1) Install floor anchor of the seat belt.

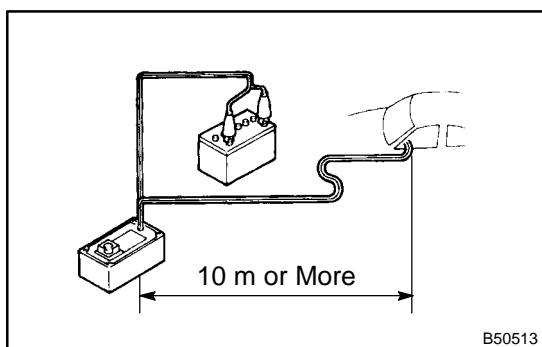


- (2) Connect 2 SSTs, then connect the yellow connector to the seat belt pretensioner.

SST 09082-00700, 09082-00770

NOTICE:

To avoid damaging SST connector and wire harness, do not lock the secondary lock of the twin lock.



- (3) Move SST at least 10 m (33 ft) away from the front of the vehicle.
- (4) Close all the doors and windows of the vehicle.

HINT:

Do not close the windows fully. Leave a gap for inserting SST wire harness.

NOTICE:

Take care not to damage SST wire harness.

- (5) Connect SST red clip to the battery's positive (+) terminal and the black clip to the negative (-) terminal.
- (e) Activate the seat belt pretensioner.
- (1) Confirm that no one is inside the vehicle or within 10 m (33 ft) of the vehicle.
- (2) Press SST activation switch and activate the seat belt pretensioner.

HINT:

The seat belt pretensioner operates simultaneously with the LED light for SST activation switch.

- (f) Dispose of the outer belt (with the seat belt pretensioner).

CAUTION:

- Do not touch the outer belt for at least 30 minutes after the seat belt pretensioner has been activated. It is very hot.
- Use gloves and safety glasses when handling an outer belt with a pretensioner that has been activated.
- Always wash your hands with water after completing the operation.
- Do not apply water to a front seat outer belt that has an activated pretensioner.

HINT:

When scrapping a vehicle, activate the seat belt pretensioner, and then scrap the vehicle with the activated outer belt still installed.

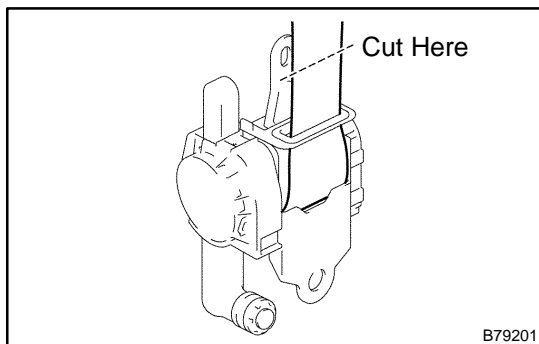
2. DISPOSE OF FRONT SEAT OUTER BELT ASSY RH (WHEN NOT INSTALLED IN VEHICLE)

NOTICE:

- When only disposing of the front seat outer belt (with the seat belt pretensioner), never use the customer's vehicle to activate the seat belt pretensioner.
- Be sure to follow the procedures listed below when activating the seat belt pretensioner.

HINT:

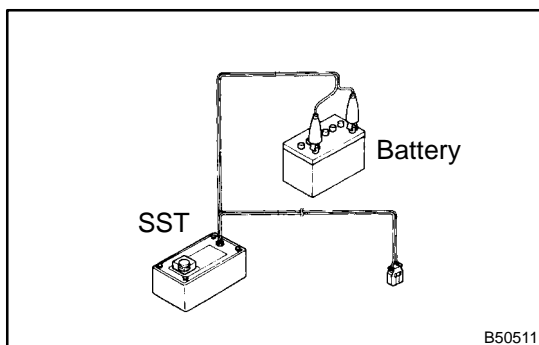
Prepare a battery as the power source to activate the seat belt pretensioner.



- (a) Remove the outer belt (see page 61-9).
- (1) Wind the seat belt with the retractor.
 - (2) When the seat belt is sufficiently wound, cut the seat belt approximately 10 cm from the retractor, as shown in the illustration.

HINT:

The amount of resistance in the retractor increases in correlation with how much the seat belt is wound.

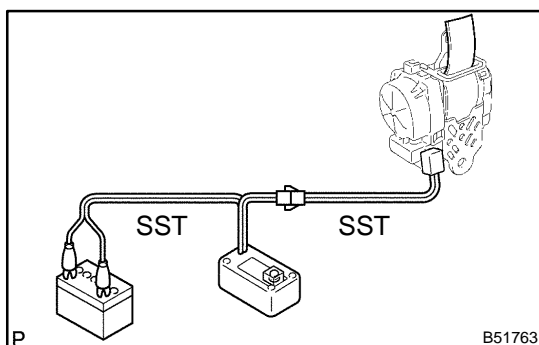


- (b) Check if SST is functioning (see step 1-(a)).

CAUTION:

When activating the seat belt pretensioner, always use the specified SST.

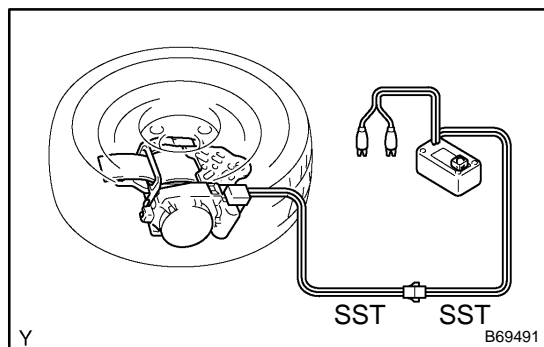
SST 09082-00700, 09082-00770



- (c) Connect SST.
- (1) Connect SST, then connect them to the seat belt pretensioner.

NOTICE:

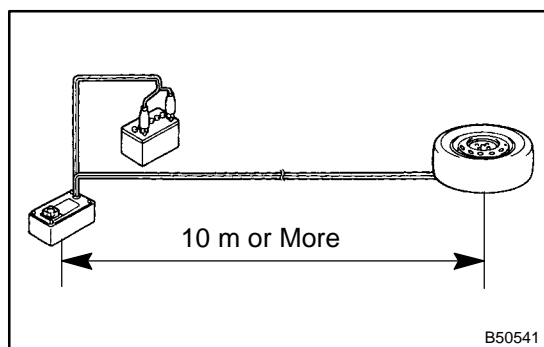
To avoid damaging SST connector and wire harness, do not lock the secondary lock of the twin lock.



- (2) Place the outer belt on the ground and cover it with a tire with a wheel attached.

NOTICE:

Set up the front seat outer belt assy as shown in the illustration.



- (3) Move SST at least 10 m (33 ft) away from the wheel.

NOTICE:

Take care not to damage SST wire harness.

- (d) Activate the seat belt pretensioner.
- (1) Connect SST red clip to the battery's positive (+) terminal and the black clip to the battery's negative (-) terminal.
 - (2) Check that no one is within 10 m (33 ft) of the wheel.
 - (3) Press SST activation switch and activate the seat belt pretensioner.

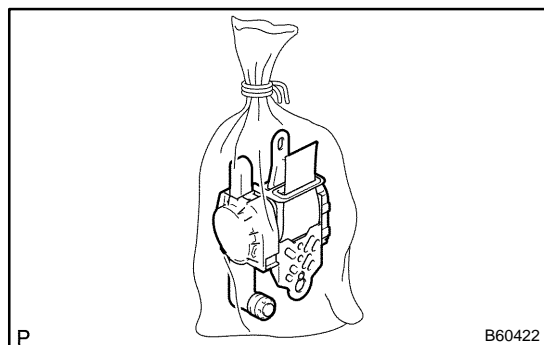
HINT:

The seat belt pretensioner operates simultaneously with the LED light for SST activation switch.

- (e) Dispose of the outer belt (with the seat belt pretensioner).

CAUTION:

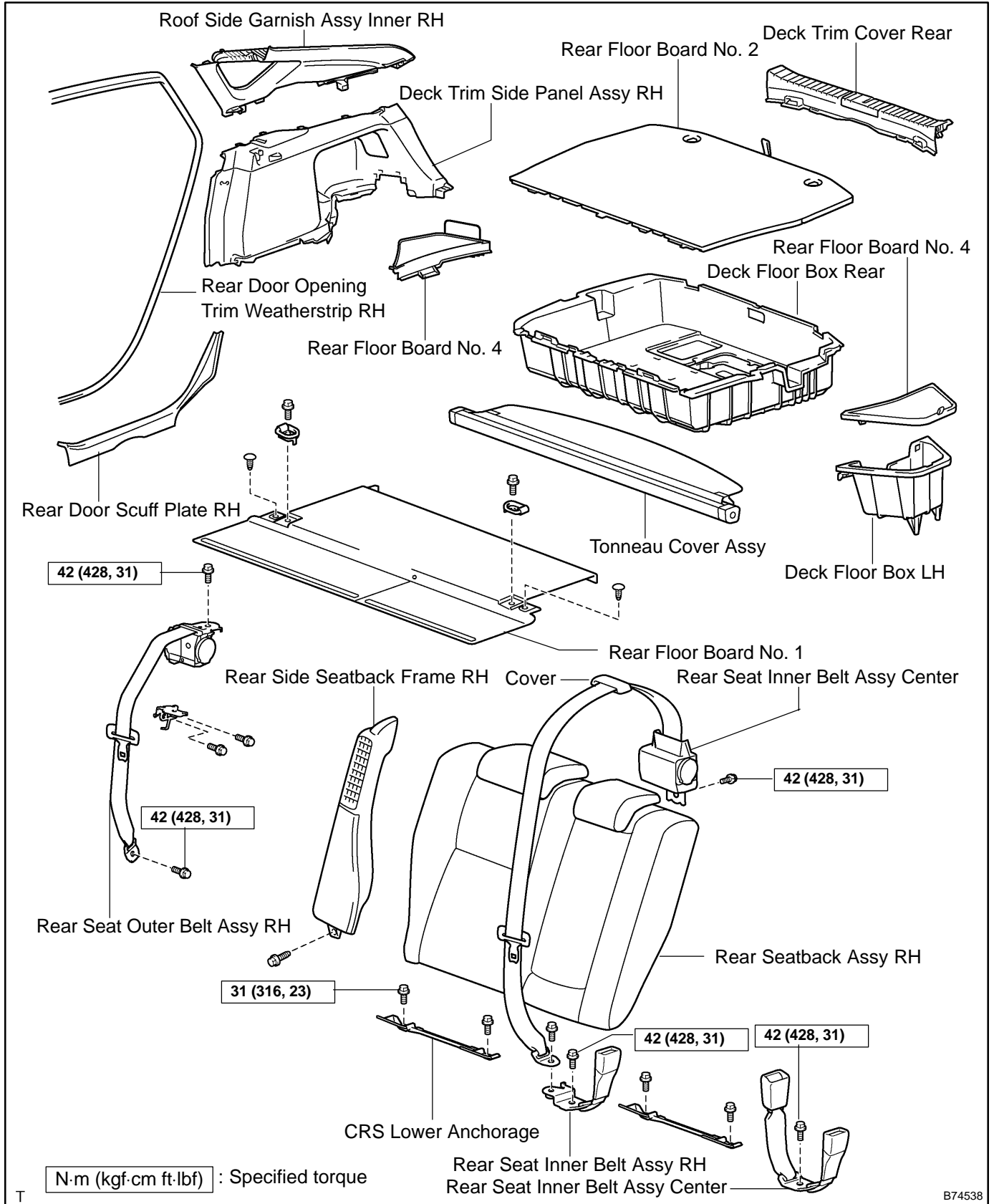
- Do not touch the outer belt for at least 30 minutes after the seat belt pretensioner has been activated. It is very hot.
 - Use gloves and safety glasses when handling an outer belt assy with a pretensioner that has been activated.
 - Always wash your hands with water after completing operation.
 - Do not apply water to an outer belt assy that has an activated pretensioner.
- (1) Remove the wheel and SST.



- (2) Place the outer belt in a plastic bag, tie the end tightly and dispose of it in the same way as other general parts.

REAR SEAT BELT COMPONENTS

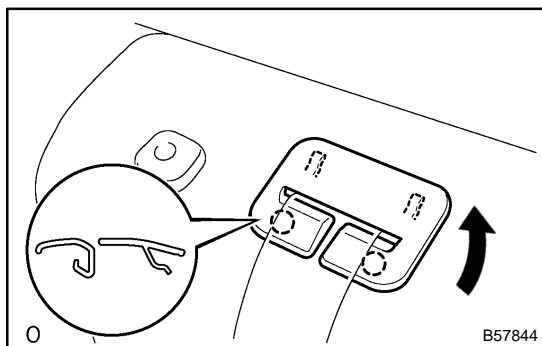
610JF-01



REPLACEMENT

HINT:

- The installation procedures are the removal procedures in reverse order. However, only installation procedures requiring additional information are included.
 - Use the same procedures for the RH side and LH side.
 - A bolt without a torque specification is shown in the standard bolt chart (see page 03-2).
 - CRS stands for "child restraint seat".
1. REMOVE REAR SEAT CUSHION ASSY (See page 72-9)
 2. REMOVE REAR DOOR SCUFF PLATE RH (See page 76-28)
 3. REMOVE REAR SIDE SEAT BACK FRAME RH (See page 76-28)
 4. REMOVE REAR DOOR OPENING TRIM WEATHERSTRIP RH (See page 76-28)
 5. REMOVE REAR SEATBACK ASSY RH (See page 72-9)
 6. REMOVE TONNEAU COVER ASSY (See page 76-28)
 7. REMOVE REAR FLOOR BOARD NO.2 (See page 76-28)
 8. REMOVE REAR FLOOR BOARD NO.1 (See page 76-28)
 9. REMOVE REAR FLOOR BOARD NO.4 (See page 76-28)
 10. REMOVE DECK FLOOR BOX LH (See page 76-28)
 11. REMOVE DECK FLOOR BOX REAR (See page 76-28)
 12. REMOVE DECK TRIM COVER REAR (See page 76-28)
 13. REMOVE DECK TRIM SIDE PANEL ASSY RH (See page 76-28)
 14. REMOVE ROOF SIDE GARNISH ASSY INNER RH (See page 76-28)
 15. REMOVE REAR SEAT OUTER BELT ASSY RH
 - (a) Remove the 2 bolts and seat belt.



16. REMOVE REAR SEAT OUTER BELT ASSY CENTER

- (a) Using a screwdriver, disengage the 4 claws and remove the cover.
- (b) Remove the 9 clips and turn over the seatback cover.
- (c) Remove the bolt and seat belt.

17. REMOVE REAR SEAT INNER BELT ASSY RH

- (a) Remove the bolt and seat belt.

18. REMOVE REAR SEAT INNER BELT ASSY CENTER

- (a) Remove the bolt and seat belt.

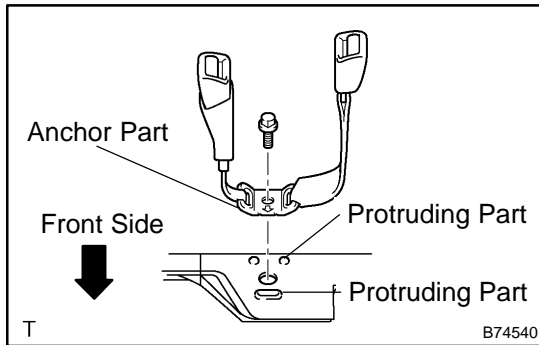
19. REMOVE CRS LOWER ANCHORAGE

- (a) Remove the 2 bolts and lower anchorage.

20. INSTALL CRS LOWER ANCHORAGE

- (a) Install the lower anchorage with the 2 bolts.

Torque: 31 N·m (316 kgf·cm, 23 ft·lbf)

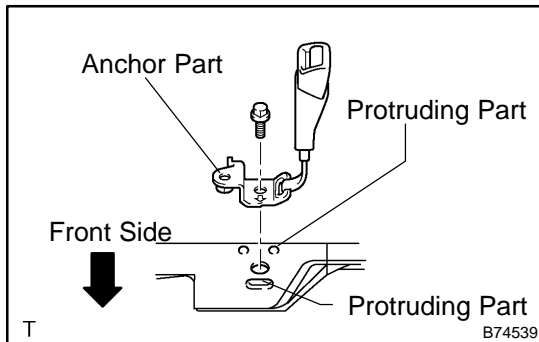
**21. INSTALL REAR SEAT INNER BELT ASSY CENTER**

- (a) Install the rear inner belt with the bolt, as shown in the illustration.

Torque: 42 N·m (430 kgf·cm, 31 ft·lbf)

NOTICE:

Do not allow the anchor part of the rear belt and the protruding parts of the floor panel to overlap.

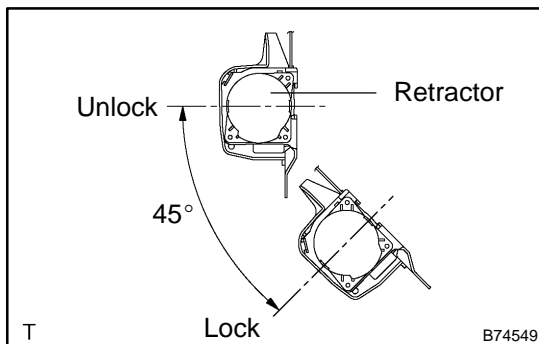
**22. INSTALL REAR SEAT INNER BELT ASSY RH**

- (a) Install the rear inner belt with the bolt, as shown in the illustration.

Torque: 42 N·m (430 kgf·cm, 31 ft·lbf)

NOTICE:

Do not allow the anchor part of the rear belt and the protruding parts of the floor panel to overlap.

**23. INSTALL REAR SEAT OUTER BELT ASSY CENTER**

- (a) Check the degree of tilt when the belt begins to lock the ELR.

NOTICE:

Do not disassemble the retractor.

- (1) When the inclination of the retractor is 15° or less, check that the belt can be pulled from the retractor. When the inclination of the retractor is over 45° check that the belt locks.

If operation is not as specified, replace the belt assy.

- (b) Install the seat belt with bolt.

Torque: 42 N·m (430 kgf·cm, 31 ft·lbf)

- (c) Install the seatback cover with the 9 clips.

- (d) Install the cover.

- (e) Install the floor anchor with the bolt.

Torque: 42 N·m (430 kgf·cm, 31 ft·lbf)

NOTICE:

Do not allow the anchor part of the rear belt and the protruding parts of the floor panel to overlap.

- (1) With the belt installed, check that the belt locks when it is pulled out quickly.

If operation is not as specified, replace the seat belt assy.

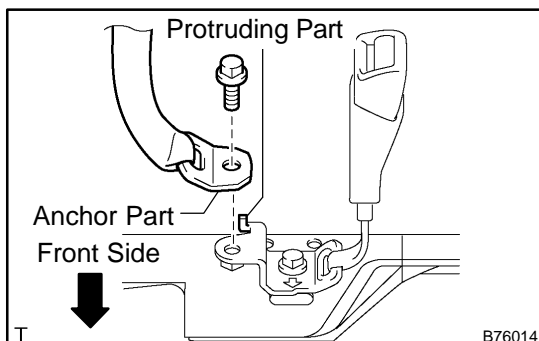
- (f) Check the ELR lock.

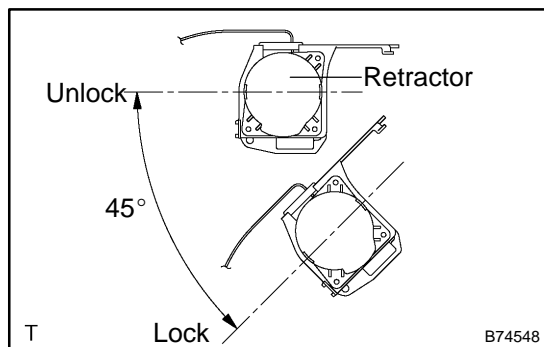
NOTICE:

The check should be performed with the assembly installed.

- (1) With the belt installed, check that the belt locks when it is pulled out quickly.

If operation is not as specified, replace the belt assy.





24. INSTALL REAR SEAT OUTER BELT ASSY RH

- (a) Check the degree of tilt when the belt begins to lock the ELR.

NOTICE:

Do not disassemble the retractor.

- (1) When the inclination of the retractor is 15° or less, check that the belt can be pulled from the retractor. When the inclination of the retractor is over 45° check that the belt locks.

If operation is not as specified, replace the belt assy.

- (b) Install the rear inner belt with the 2 bolts.

Torque: 42 N·m (430 kgf·cm, 31 ft·lbf)

NOTICE:

Do not allow the anchor part of the rear belt and the protruding parts of the floor panel to overlap.

- (1) With the belt installed, check that the belt locks when it is pulled out quickly.

If operation is not as specified, replace the seat belt assy.

- (c) Check the ELR lock.

NOTICE:

The check should be performed with the outer belt assy installed.

- (1) With the belt installed, check that the belt locks when it is pulled out quickly.

If operation is not as specified, replace the belt assy.

- (d) Check the fastening function of the child restraint system.

NOTICE:

The check should be performed with the outer belt assy installed.

- (1) When the belt is pulled out fully, the belt should automatically try to retract.
- (2) After the belt has fully retracted, the belt should be able to be pulled out and retracted again.

If operation is not as specified, replace the belt assy.

